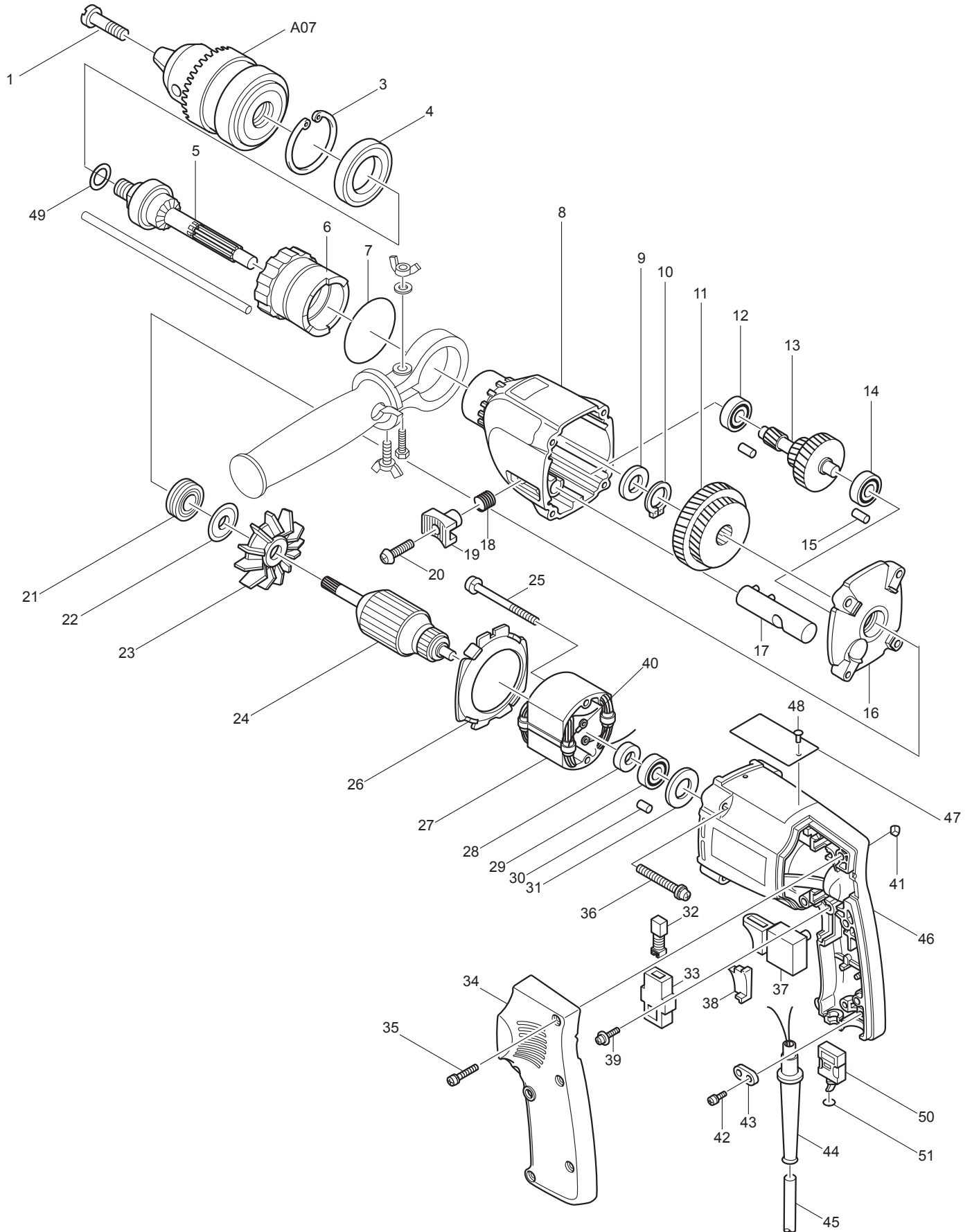




06 - 2009
HP2010N
3/4" HAMMER DRILL



Item No	Type	Ref	Part No	Description	Qty	Unit
001			251425-3	- FLAT HEAD SCREW M6X22	1	PC.
003			962151-6	RETAINING RING R-32	1	PC.
004			213301-9	DUST SEAL 20	1	PC.
005			152167-1	SPINDLE COMPLETE	1	PC.
006			323679-3	CHANGE RING	1	PC.
007			213458-6	O RING 34	1	PC.
008			159691-5	GEAR HOUSING	1	PC.
		INC.	223054-2	CAM B	1	PC.
		INC.	423037-4	SPONGE 8	1	PC.
		INC.	951104-0	SPRING PIN 4-12	1	PC.
		INC.	951204-6	SPRING PIN 6-16	1	PC.
		INC.		Item No. 15 (1 PC)	1	PC.
009			253798-0	FLAT WASHER 13	1	PC.
010			961052-5	RETAINING RING S-12	1	PC.
011			226038-9	GEAR COMPLETE 39-49	1	PC.
012			210025-8	BALL BEARING 627LLB	1	PC.
013			226039-7	GEAR COMPLETE 9-19-41	1	PC.
014			210025-8	BALL BEARING 627LLB	1	PC.
015			263002-9	RUBBER PIN 4	2	PC.
016			156741-7	GEAR HOUSING COVER	1	PC.
		INC.	214002-2	PLANE BEARING 7.9	1	PC.
		INC.		Item No. 15 (1 PC)	1	PC.
017			152135-4	SHIFTER ROD	1	PC.
018			231249-3	COMPRESSION SPRING 5	1	PC.
019			411475-2	CHANGE LEVER	1	PC.
020			265029-5	+ PAN HEAD SCREW M4	1	PC.
021			211043-9	BALL BEARING 807LLB	1	PC.
022			213002-9	DUST SEAL 8	1	PC.
023			241815-8	FAN 62	1	PC.
024			515141-4	ARMATURE ASS'Y 115V (OLD# 615141-5)	1	PC.
		INC.		Item No. 21-23, 28, 29	1	PC.
025			911185-6	PAN HEAD SCREW M4X55 (OLD#925183-4)	2	PC.
026			410773-1	BAFFLE PLATE (OLD#411805-7)	1	PC.
027			525141-6	FIELD ASS'Y 115V (OLD#625141-7)	1	PC.
		INC.	654038-3	INSULATED TERMINAL FT1.25-M4	1	PC.
028			681600-1	INSULATION WASHER	1	PC.
029			211028-5	BALL BEARING 627LB	1	PC.
030			263002-9	RUBBER PIN 4	1	PC.
031			253192-6	FLAT WASHER 14	1	PC.
032	2		194977-0	CARBON BRUSH CB-107 2PCS/SET (W/ ORIGIN)	1	SET
	Opt.2		194978-8	A.C CARBON BRUSH CB-113 (2PCS/SET)(W/ ORIGIN)	1	SET
033			643605-9	BRUSH HOLDER	2	PC.
034	3		158664-5	* HANDLE COVER COMPLETE	1	PC.
		INC.	810358-7	* CAUTION LABEL	1	PC.
		INC.	816266-0	* INDICATION LABEL	1	PC.
035			911143-2	PAN HEAD SCREW M4X22	5	PC.
036			911268-2	PAN HEAD SCREW M5X45	4	PC.
037	3		650226-0	* SWITCH TG823AB-2 LARGE LOCK-ON BUTTON	1	PC.
038			411900-3	SWITCH COVER	1	PC.
039			911124-6	PAN HEAD SCREW M4X14	2	PC.
040			654038-3	INSULATED TERMINAL FT1.25-M4	2	PC.
041			931102-0	HEX NUT M4	5	PC.
042			911133-5	PAN HEAD SCREW M4X18 (OLD#911131-9)	2	PC.

Item No	Type	Ref	Part No	Description	Qty	Unit
043			687002-9	STRAIN RELIEF	1	PC.
044			682502-4	CORD GUARD 8-85	1	PC.
045			664064-4	CORD W/PLUG 2P-18-2.5M, SJ	1	PC.
046	3		159393-3	* MOTOR HOUSING	1	PC.
		INC.		* Item No. 30, 41	1	PC.
047			855101-7	NAME PLATE HP2010N	1	PC.
050			651470-2	SWITCH STE210N-1	1	PC.
051			213105-9	O RING 11	1	PC.

ACCESSORIES

- See catalogue or visit www.makita.ca for optional accessories -

A01	1		798341-3	CHUCK KEY	1	PC.
	2		763432-9	CHUCK KEY S13	1	PC.
A02			824608-4	PLASTIC CARRYING CASE	1	PC.
		INC.	417496-2	LATCH	2	PC.
		INC.	417497-0	HANDLE	1	PC.
		INC.	819143-5	MAKITA LABEL	1	PC.
A03			122428-3	GRIP ASS'Y	1	PC.
		INC.	252635-5	NUT M8	1	PC.
		INC.	941202-8	FLAT WASHER 8	1	PC.
		INC.	921472-5	HEX. BOLT M8X50	1	PC.
		INC.	924226-9	WING BOLT M5X20	1	PC.
		INC.	273627-1	GRIP	1	PC.
A04			410102-8	KEY HOLDER (PART)	1	PC.
A06			765009-6	BLOW-OUT BULB 64	1	PC.
A07	2		192877-8	1/2" DRILL CHUCK, PKGD	1	PC.
A08			321059-7	DEPTH GAUGE	1	PC.

<SERVICE CHANGE>

1. Change on Handle Cover, Motor Housing, Switch

ITEM NO.	DESCRIPTION	TYPE 2	TYPE 3
34	HANDLE COVER	150308-3 (N/L/A)	158664-5 (LARGE BUTTON HOLE)
37	SWITCH	651255-6 (SMALL BUTTON)	650226-0 (LARGE BUTTON)
46	MOTOR HOUSING	159395-9	159393-3
	Serial No.	262481 - 734197	734198 -

Handle Cover & Switch should be replaced at the same time using same type of parts.

Motor Housing Type 2 & Type 3 are interchangeable itself (difference is indication label only).